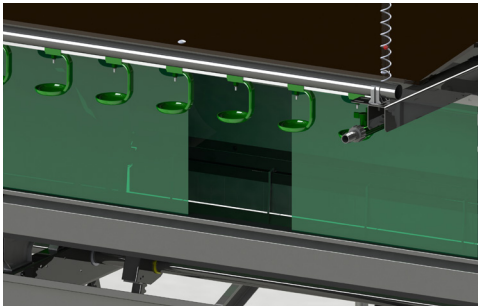
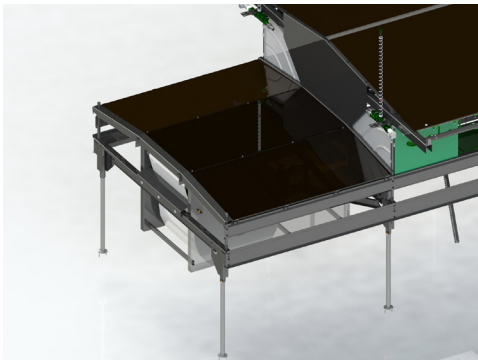


Think  
ahead with  
**poultry  
people**

# Vencomatic Nest Centerbelt



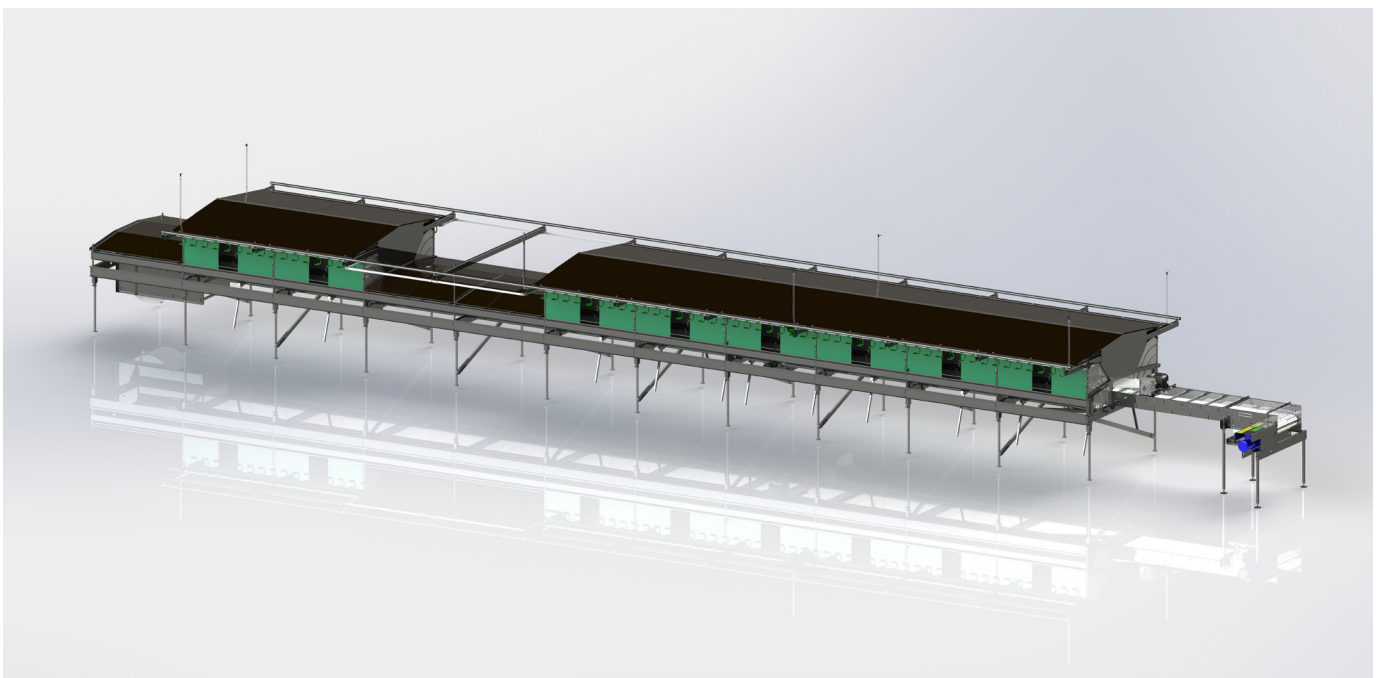
The Vencomatic Nest range is built to last. The solid construction ensures a long lifetime of the nest. Flat roofs maximize available living surface for the birds. The Vencomatic Nest has a modular design, offering maximum flexibility and providing an optimum fit to every poultry house.



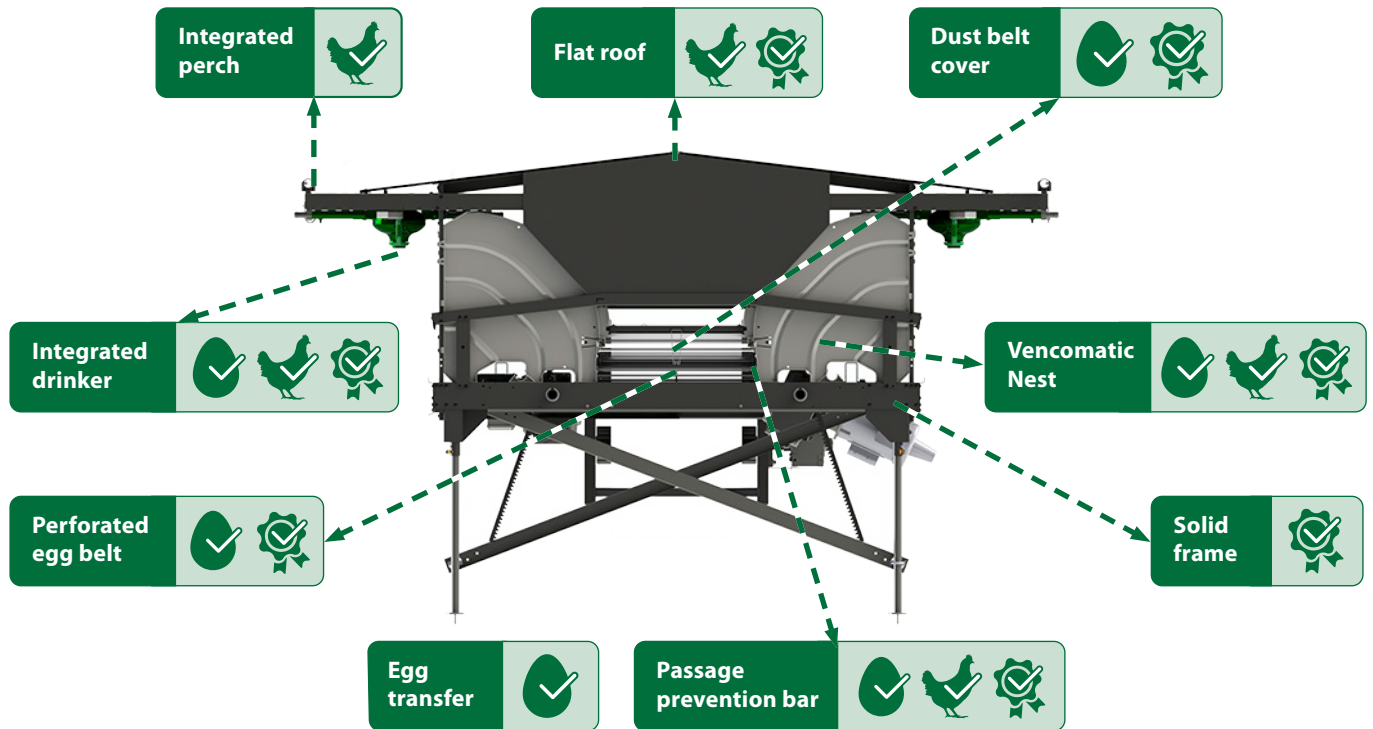
Vencomatic's nests with tipping floors have been applied for many years, and provide optimum nest acceptance and egg quality. Integrated drinker lines and perches can be supplied with the nest.

The Vencomatic Nest is the ideal solution for the production of cage free table eggs in conventional houses!

- Built to last framework;
- Optimal fit for every poultry house;
- High nest acceptance;
- Clean nest for premium egg quality.



# Vencomatic Nest Centerbelt



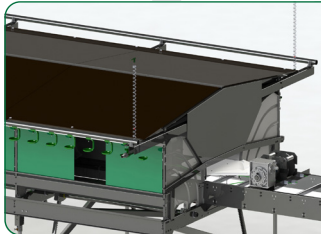
## Facts & Benefits

	<p style="text-align: center;"><b>Integrated perch</b></p> <p>Integrated perch</p> <p>Perch positions outside the slatted area</p> <p>Birds can follow their natural behaviour</p> <p>Safe access to flat roof</p> <p>Better view on the nest</p> <p>Lower chance on floor eggs</p>
	<p style="text-align: center;"><b>Integrated drinker</b></p> <p>Integrated fixed drinking system</p> <p>Bigger diameter drinking line (28 mm)</p> <ul style="list-style-type: none"> <li>- No connection to the roof needed</li> <li>- Less water spillage</li> <li>- Ideal position for birds behaviour</li> <li>- Increased capacity per pressure regulation</li> <li>- Regulator only in front and back of the house</li> </ul>
	<p style="text-align: center;"><b>Perforated egg belt</b></p> <p>Egg belt width 504 mm</p> <p>No transfer in between the row</p> <p>Available in PVC material</p> <p>Central egg bumper above the egg belt</p> <p>Only one central egg belt is needed</p> <p>Beneficial for egg handling</p> <ul style="list-style-type: none"> <li>- PVC can handle long lengths jouses</li> <li>- PVC is 5x stronger than PP version</li> </ul> <p>Reduces risk of hair cracks</p>



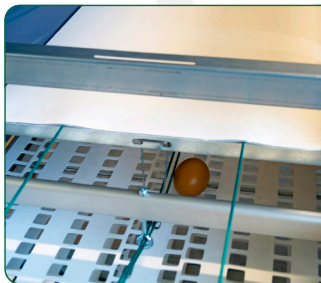
### Egg transfer

Egg transfer	Guides eggs to central collection belt and/or Prinzen egg packer
Design & material	- Low impact on eggs, reduces risk of hair cracks - Pushes eggs instead of rolling - Less dirt contamination
Tested with the Gregg	Accurate measurements used for product optimization to take care of the eggs to reduce impact
Does not skew/puncture windshell eggs	- Reduces cleaning - Reduces soiling of other eggs



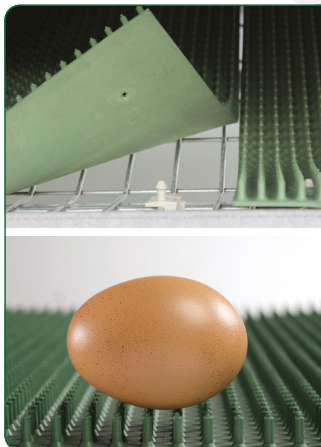
### Flat roof

Flat roof	- Increases living space for the hens - Easy accessible for the hens
Strong roof construction	Highly durable and solid
Removable roof	Easy for cleaning



### Dust belt cover

Egg channel is covered	- Less possibilities for bacteria to enter the egg preserving egg quality - More first class eggs allowing a quick return on investment
Retractable and removable	Easy to clean
Cleaner egg belts	Less dirt in egg belt drive reducing maintenance



### Vencomatic nest

Tipping floors	Gentle expel and automatic cleaning of nest
High nest capacity	Optimal nest area
Matclip	Simplifies cleaning and removing of Vencomat
Comfortable nest floor	High nest acceptance
Vencomats unique design pins	- Minimum egg contamination - Gentle roll away
Lowest sloping nest floor available	Preserves egg quality resulting in more first quality eggs
Durable nest floor	Long lifespan
No wood in nest box	High cleanability



### Solid frame work

Strong nest construction	- Long lifespan - Suitable for heavy slat support
Self healing	No rust on edges or when material is damaged
Better corrosion resistance	Long lifespan



### Passage prevention bar

Obstructs the acces to the egg channel	Birds can not be pushed into egg channel - by overcrowding nests - in case of young placed birds
Plastic design	Egg friendly handling
Click connection	Easy assembly





## Vencomatic Group B.V.

---

**Visiting address:**

Venco Campus  
Meerheide 200  
5521 DW Eersel  
The Netherlands

**Postal address:**

Vencomatic Group B.V.  
P.O. Box 160  
5520 AD Eersel  
The Netherlands

Phone +31 (0)497517380  
info@vencomaticgroup.com

[www.vencomaticgroup.com](http://www.vencomaticgroup.com)